

FIG. 1

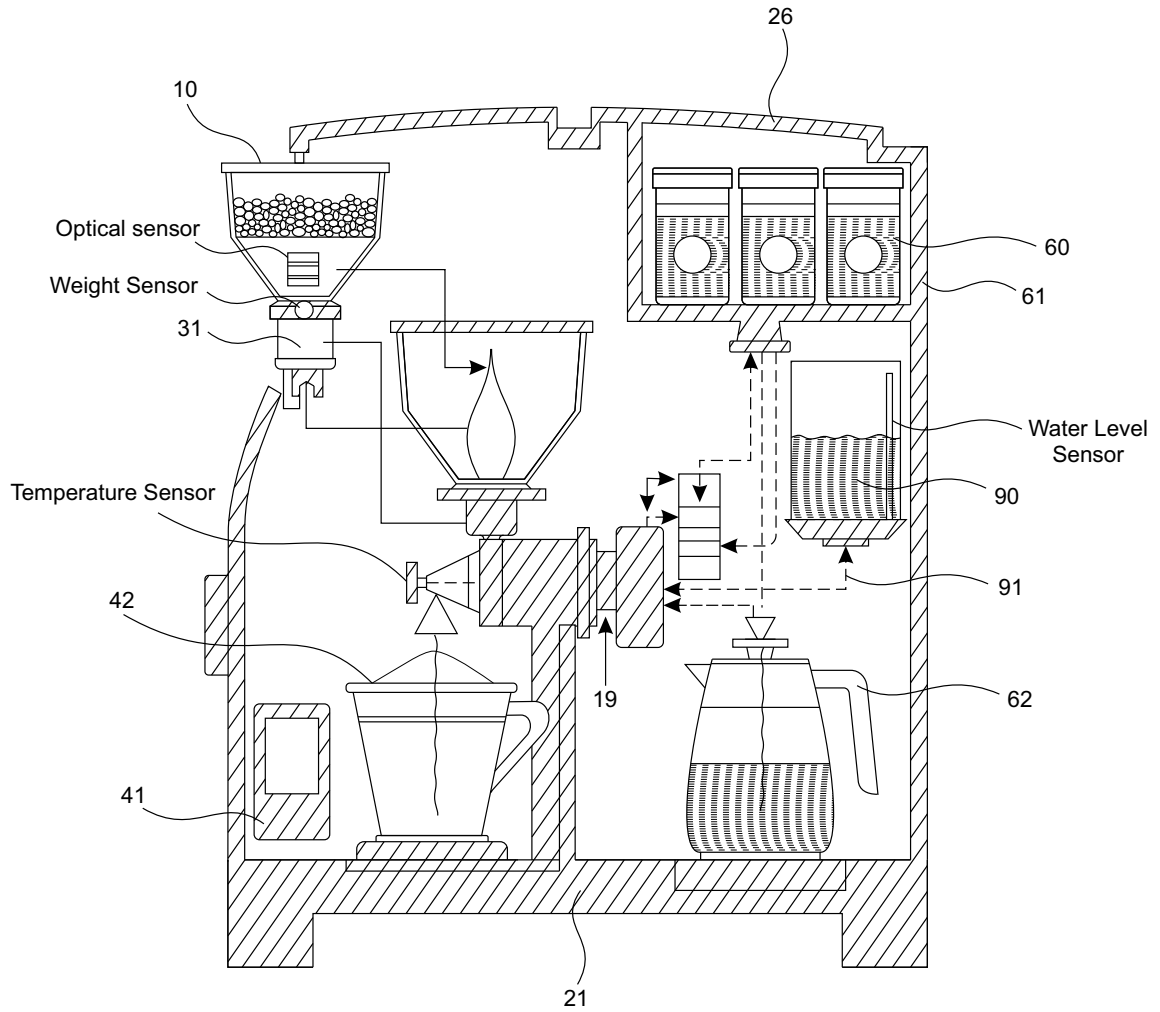


FIG. 2



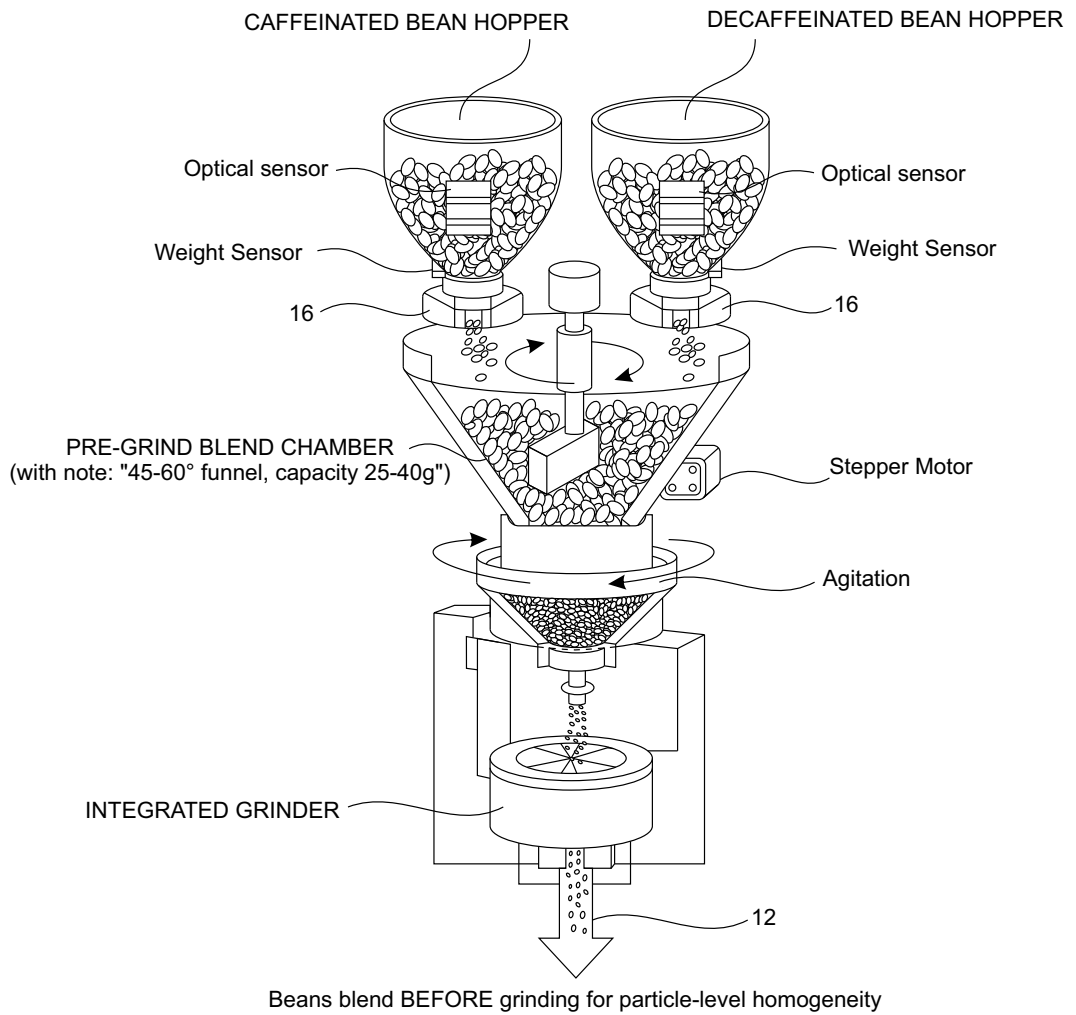


FIG. 3B

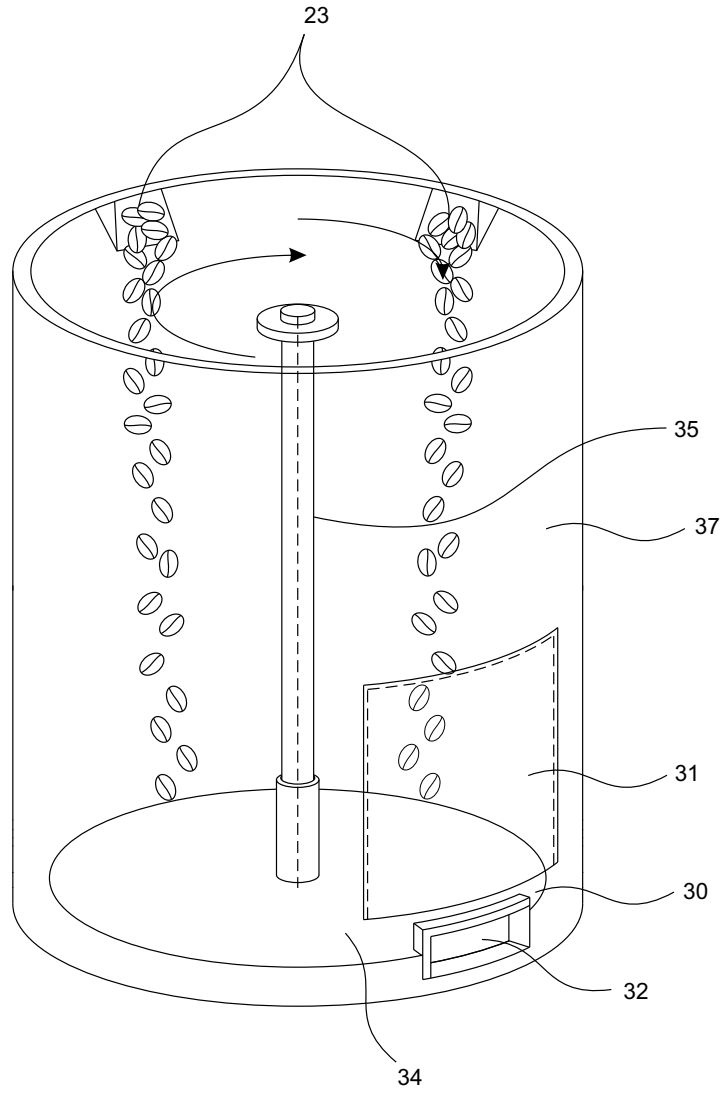


FIG. 3C

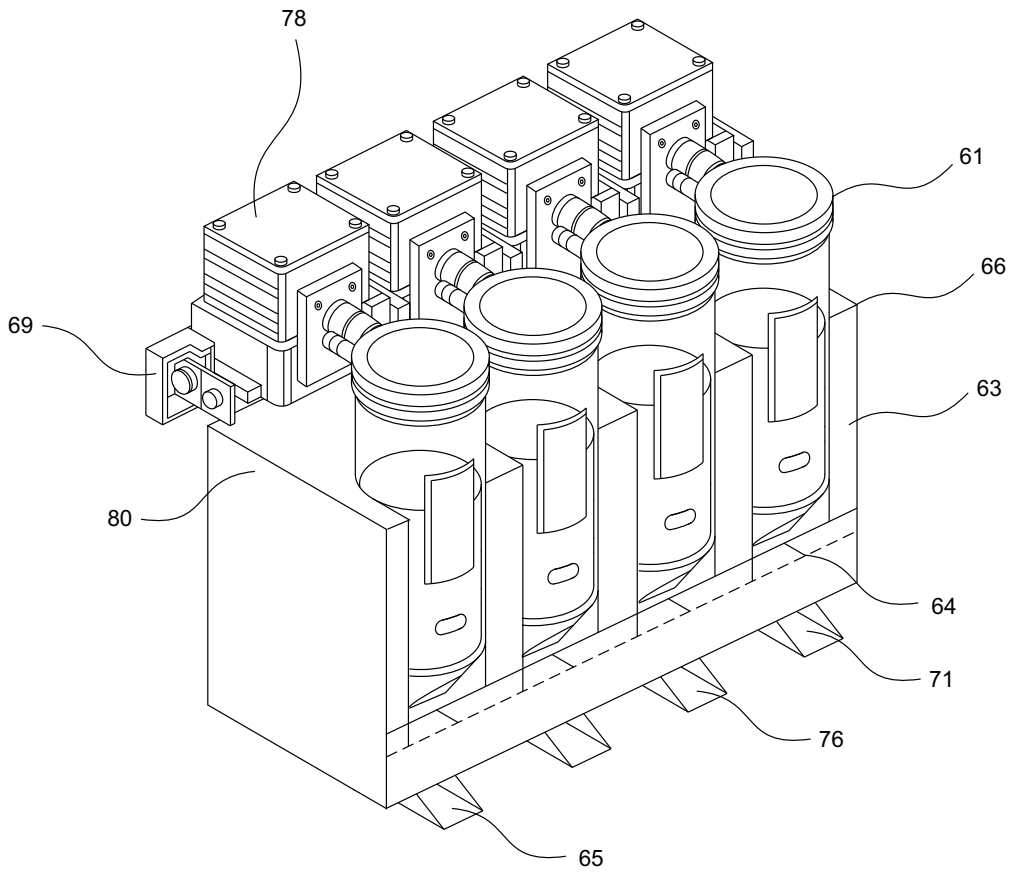


FIG. 4A

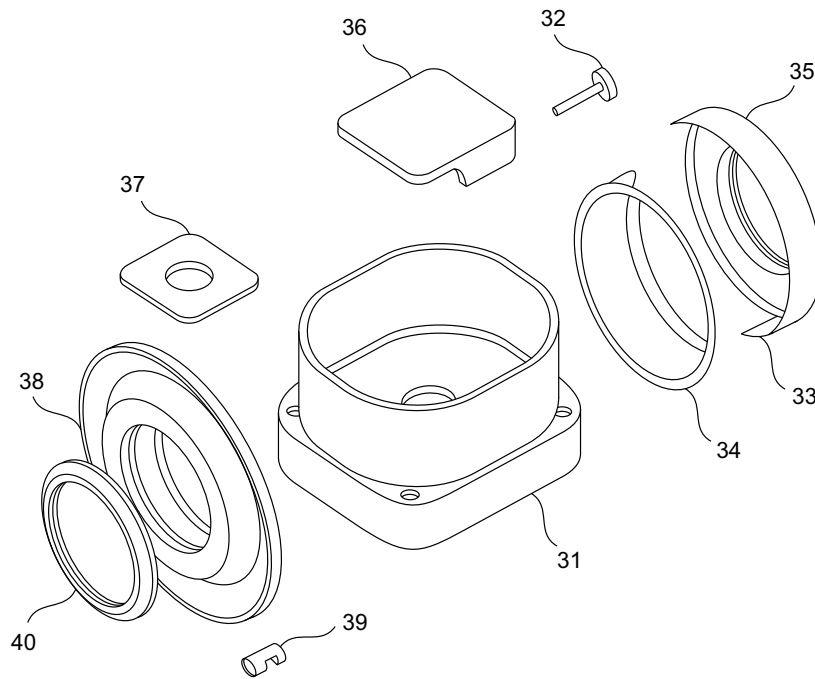


FIG. 4B

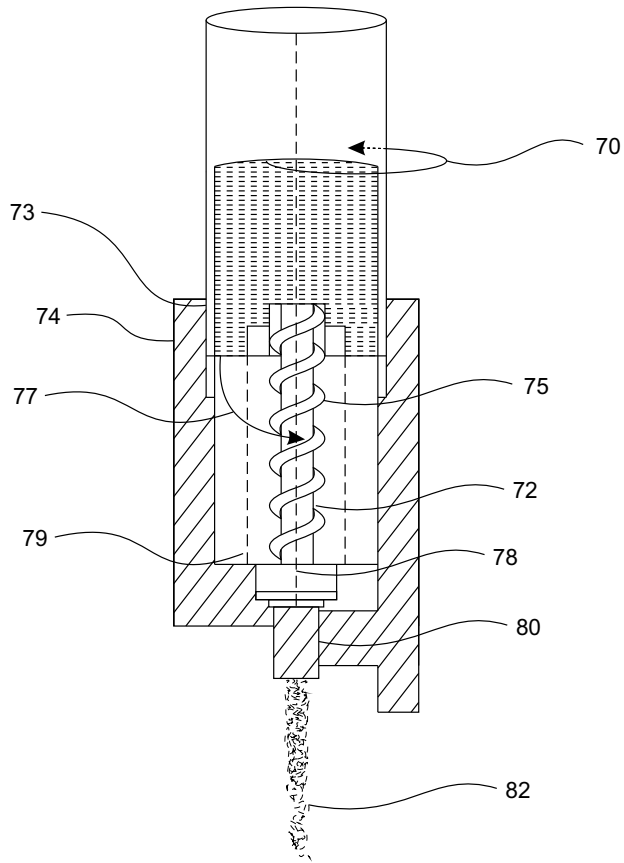


FIG. 4C

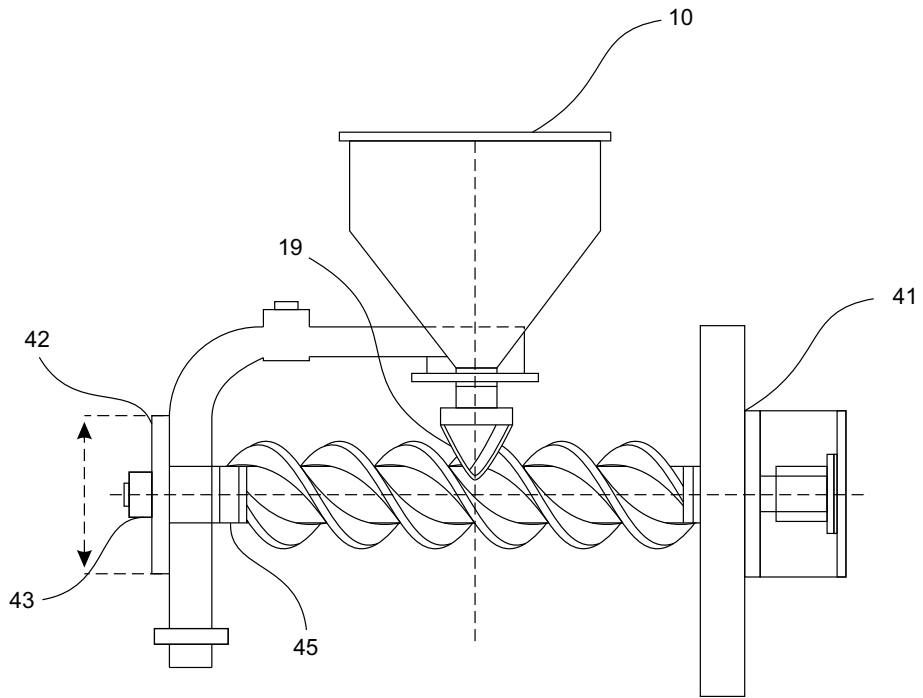


FIG. 5A

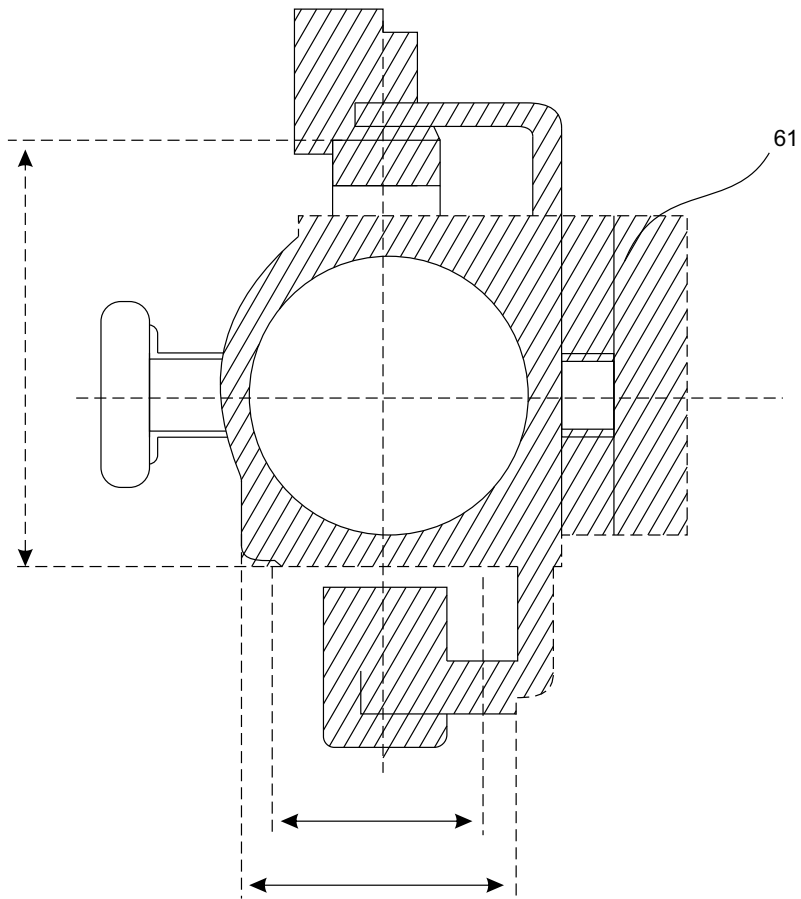


FIG. 5B

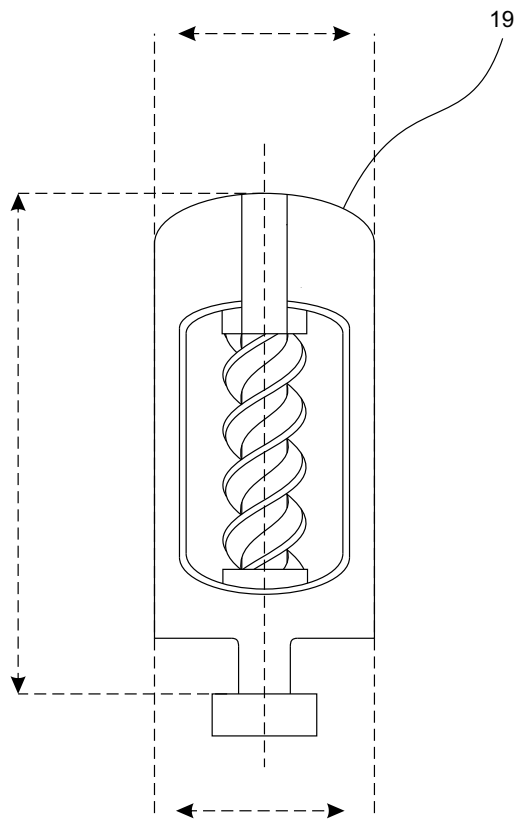


FIG. 5C

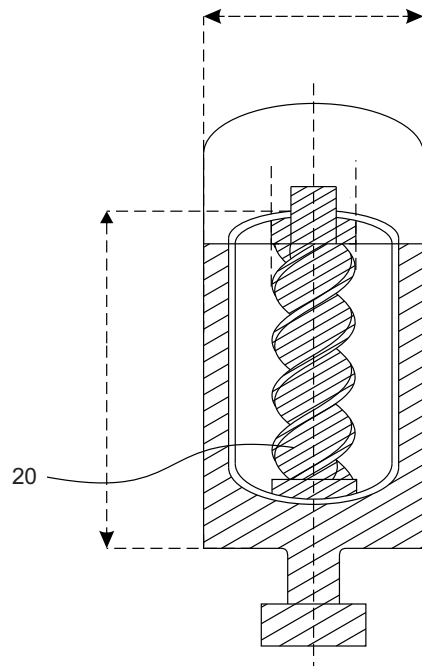


FIG. 5D

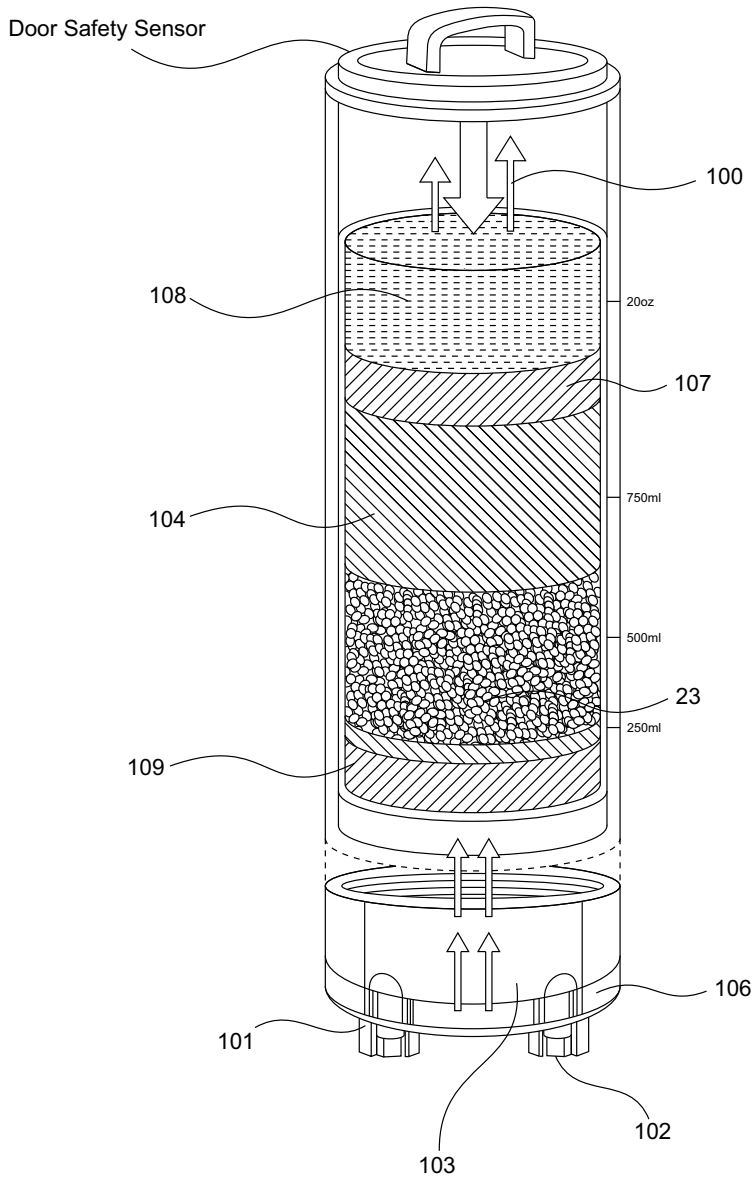


FIG. 6A

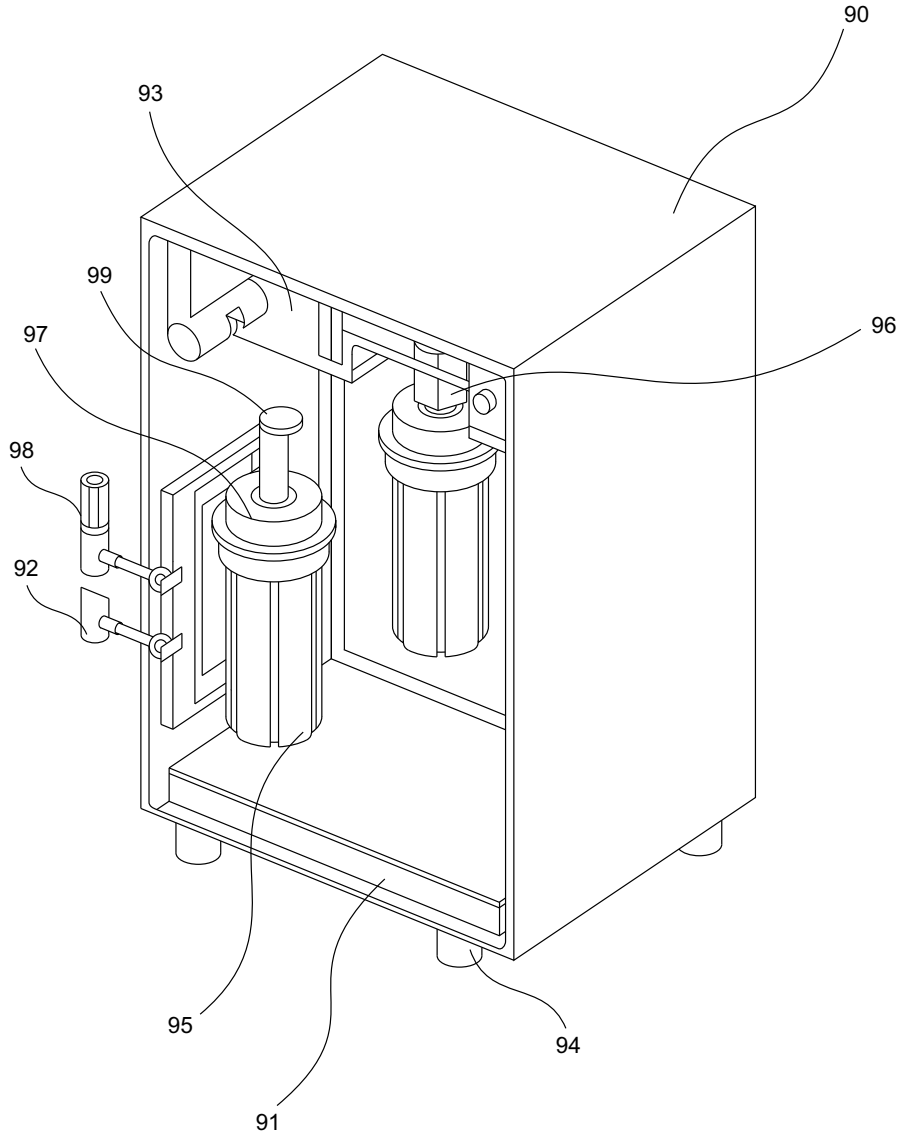


FIG. 6B

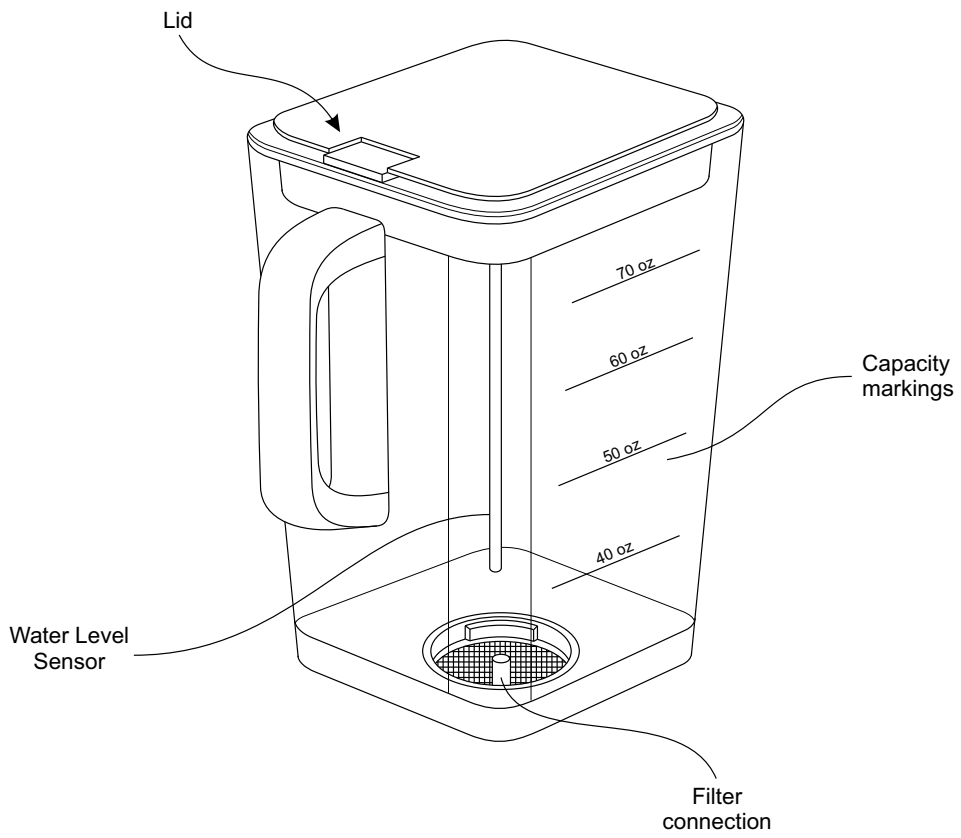


FIG. 6C

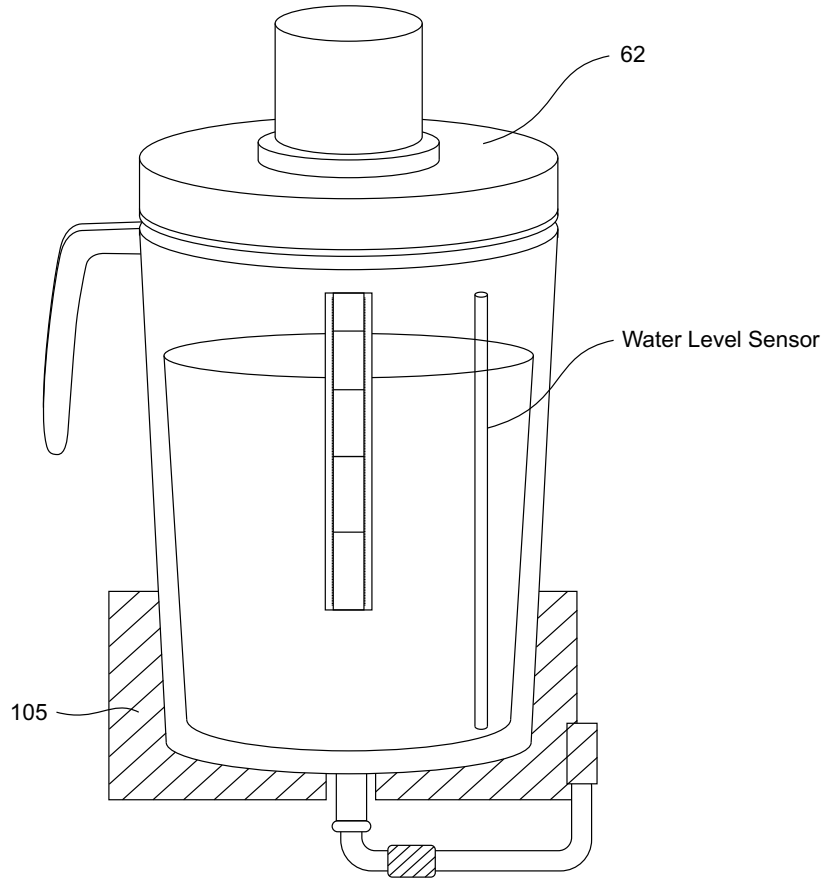


FIG. 7A

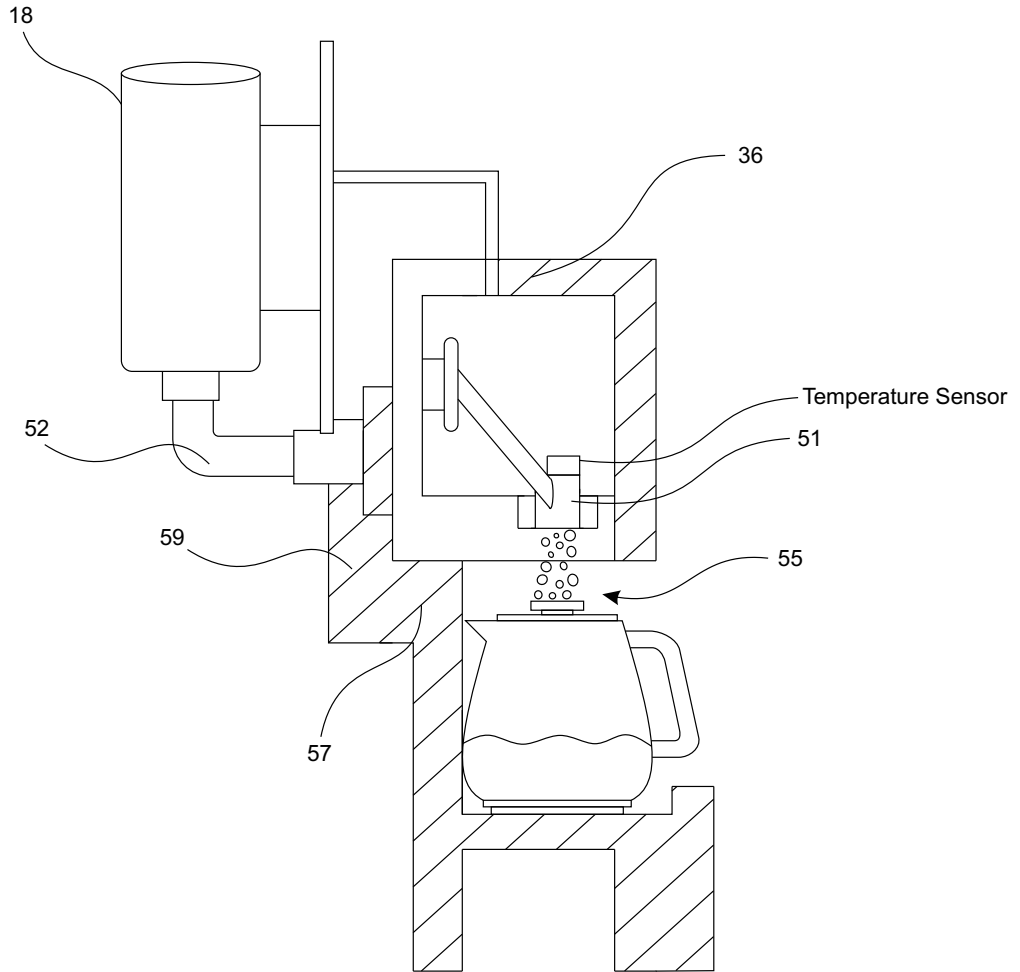


FIG. 7B

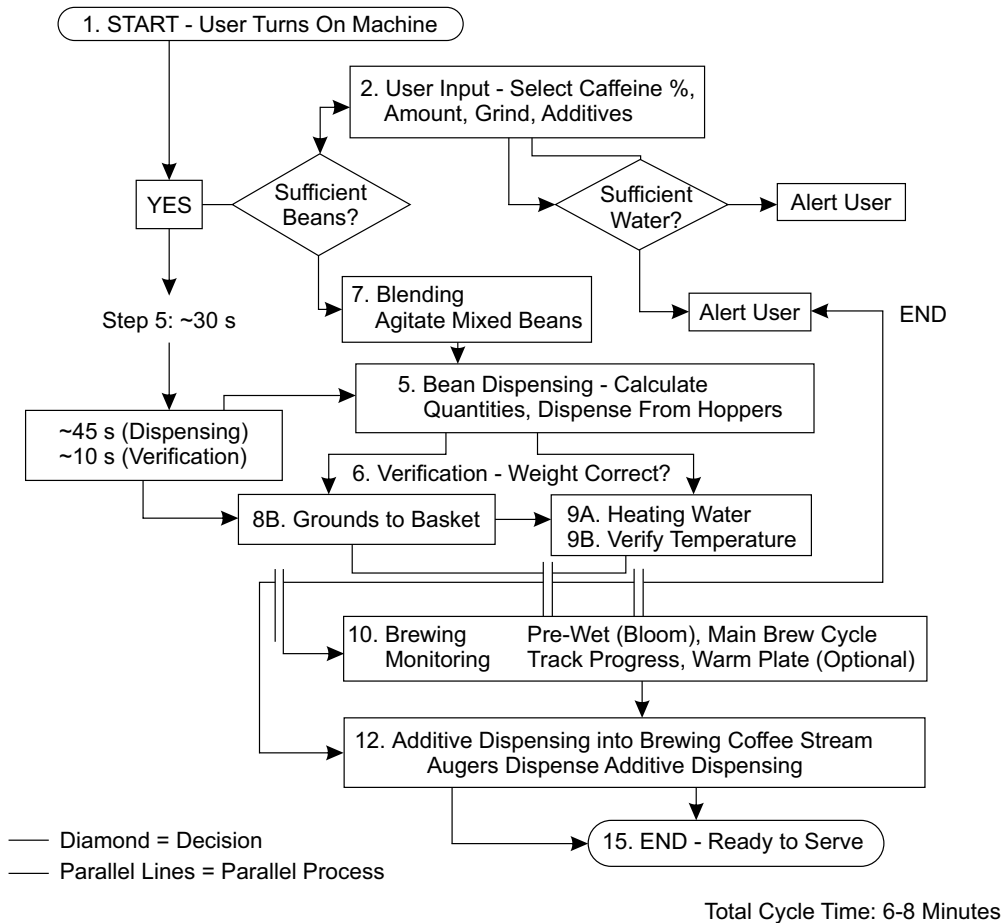


FIG. 8

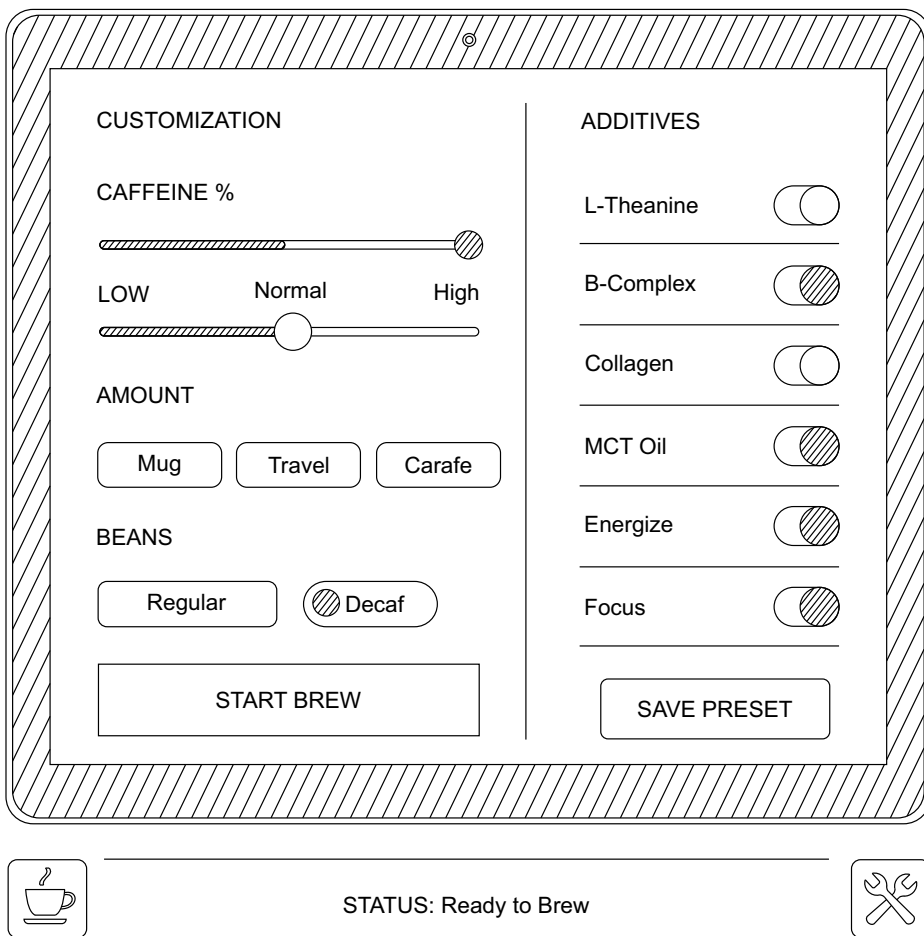


FIG. 9A

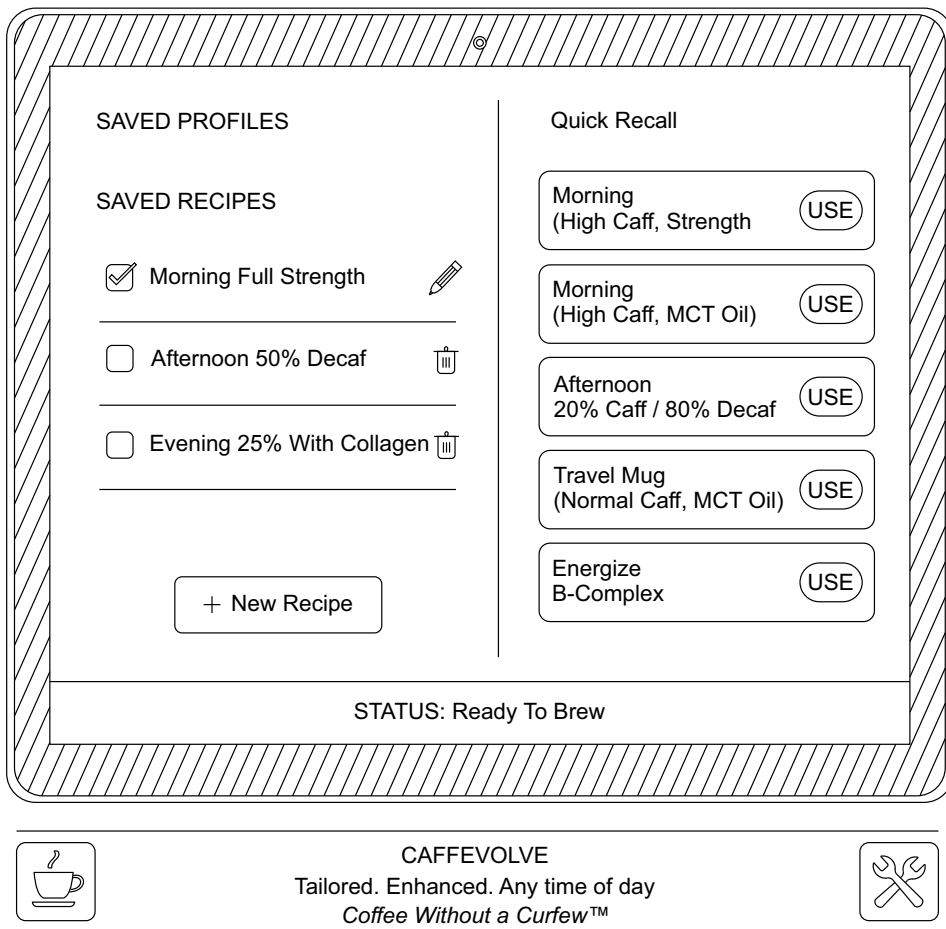


FIG. 9B

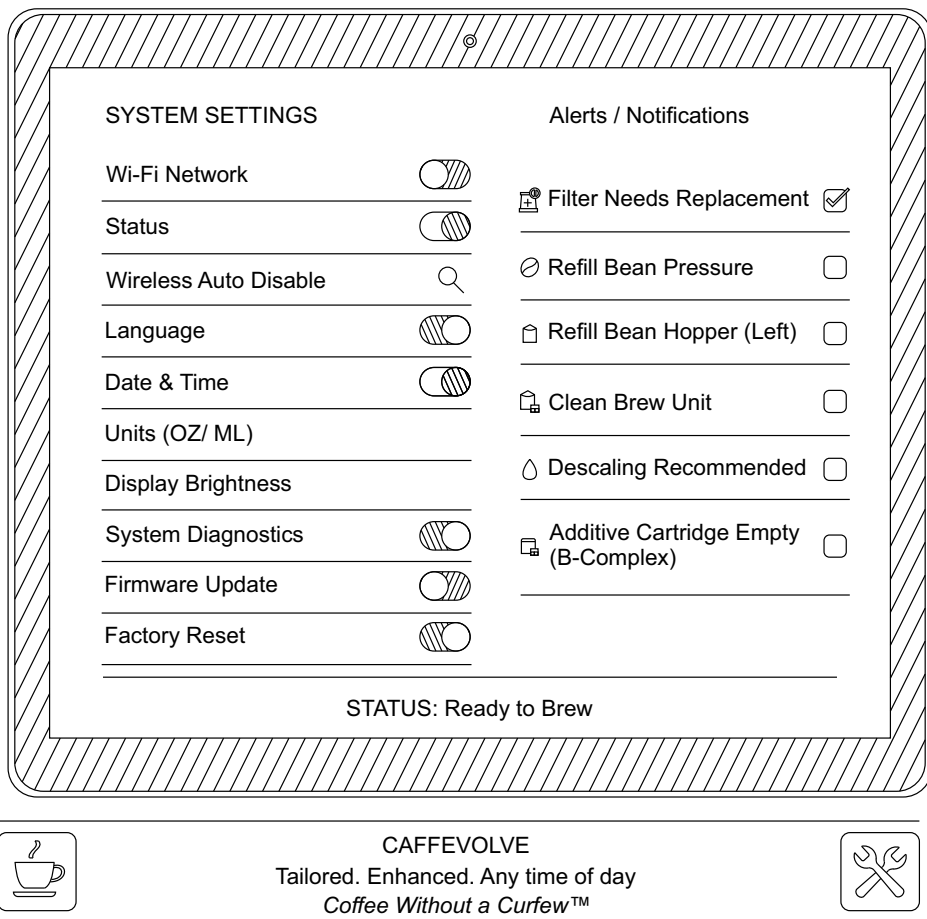


FIG. 9C

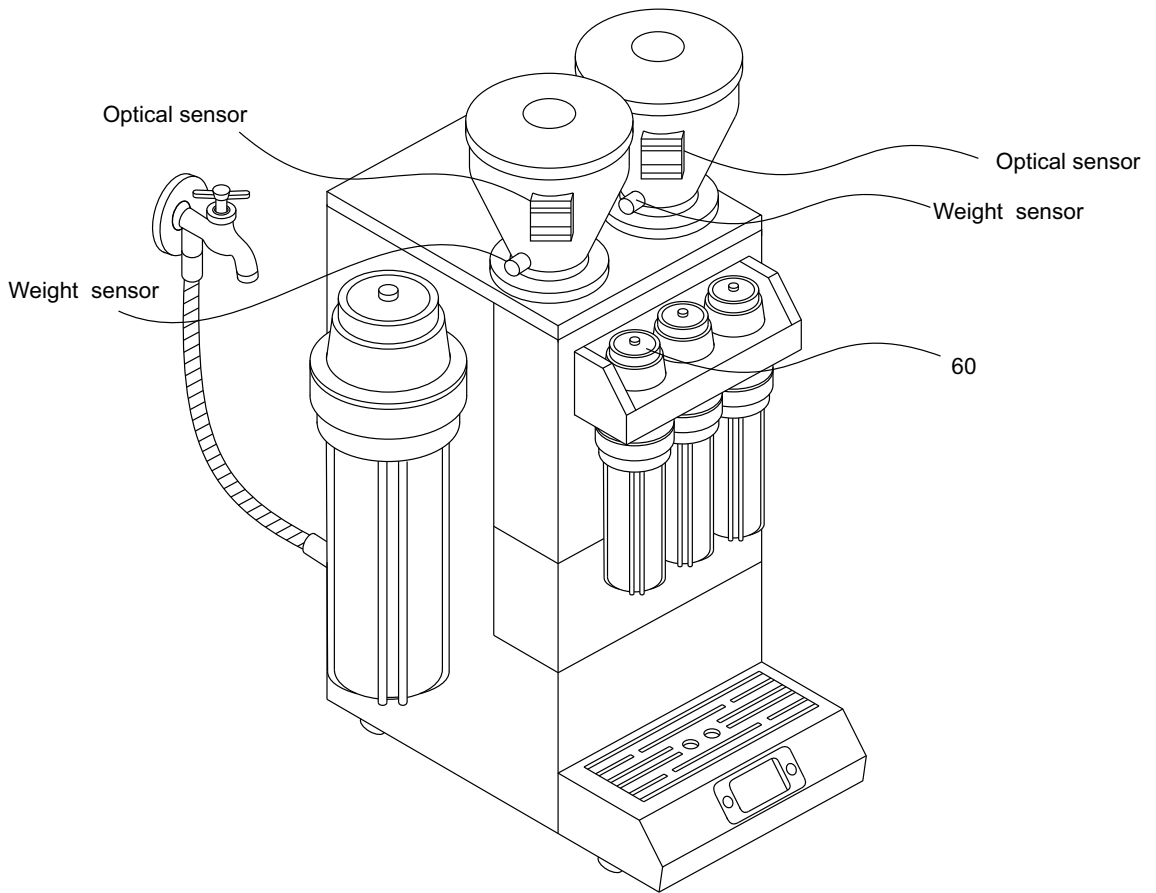


FIG. 10A

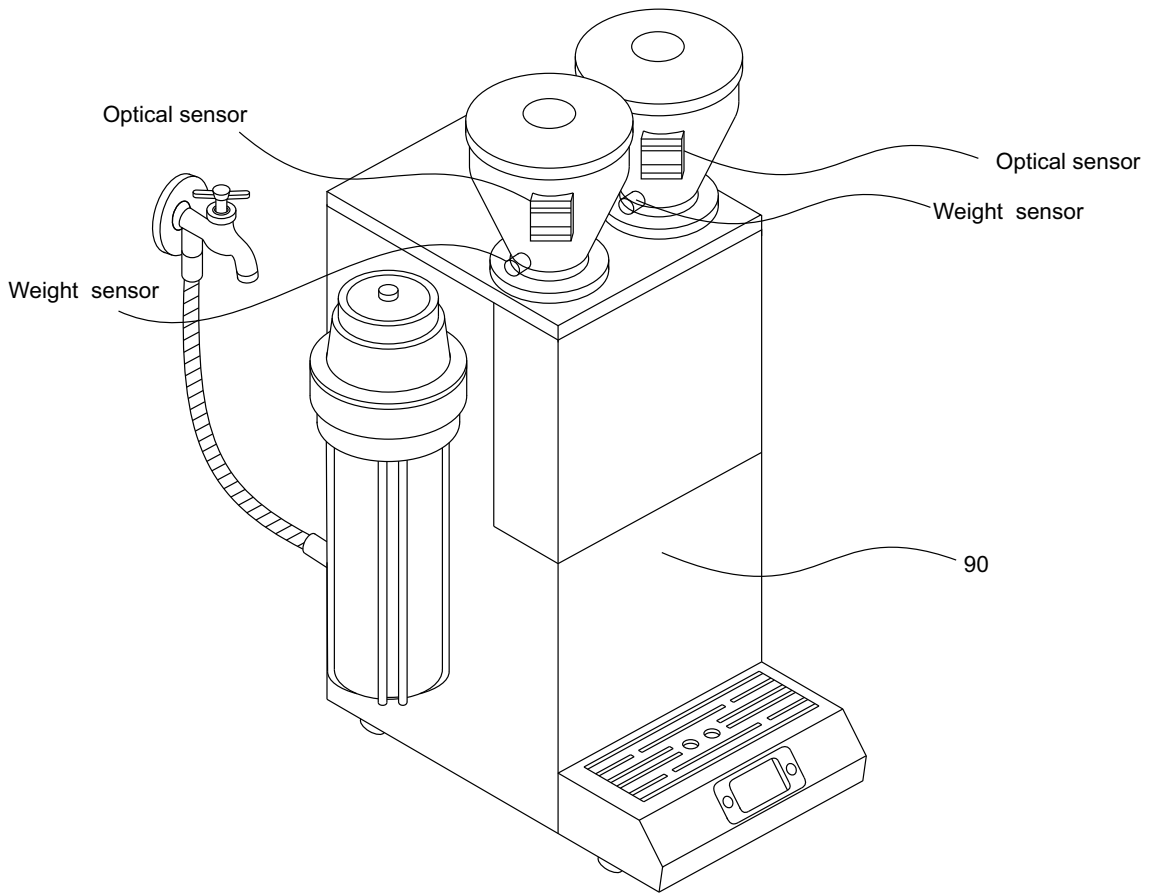


FIG. 10B

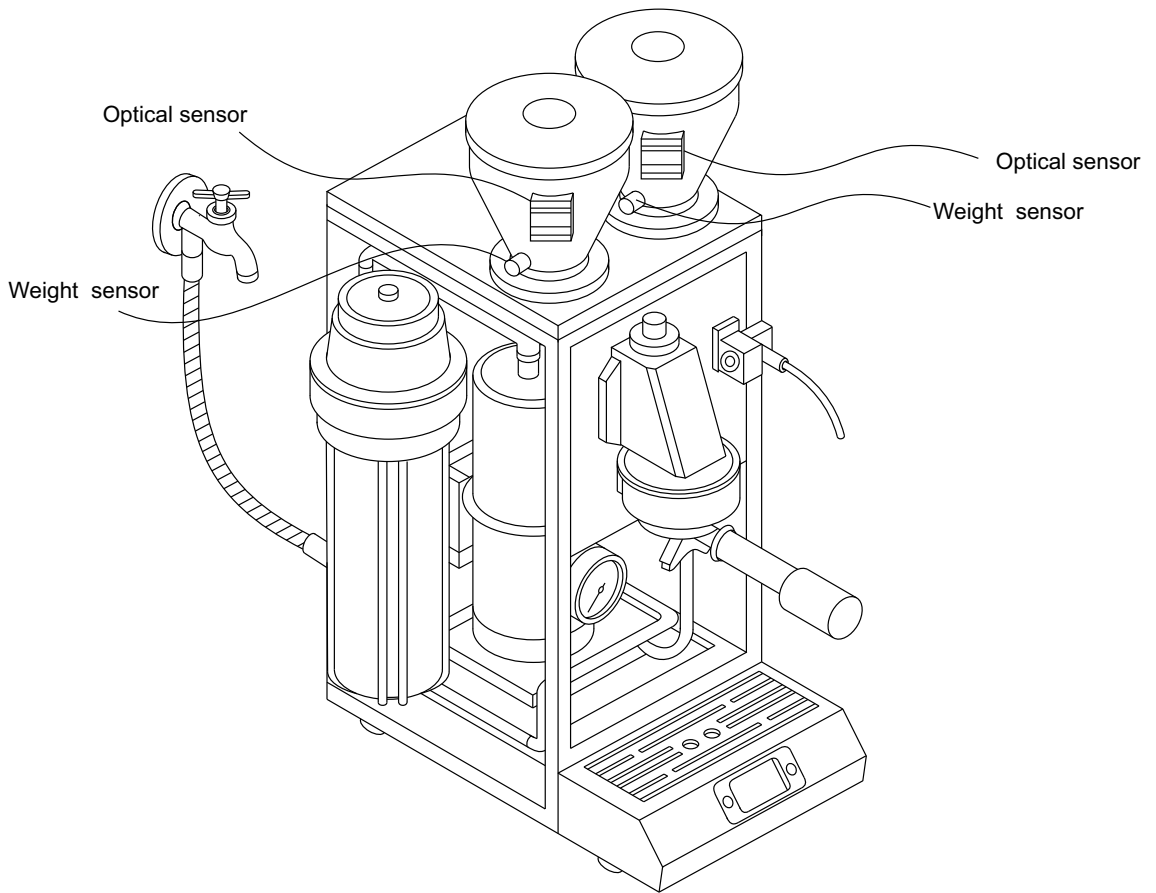
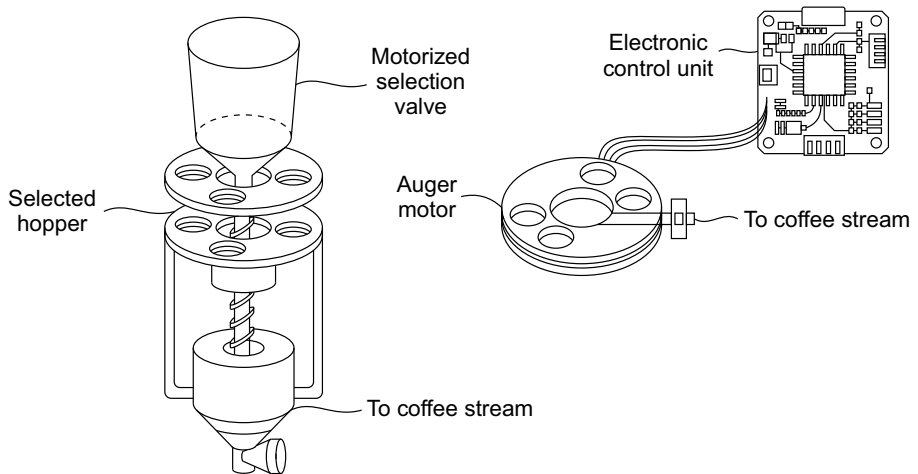
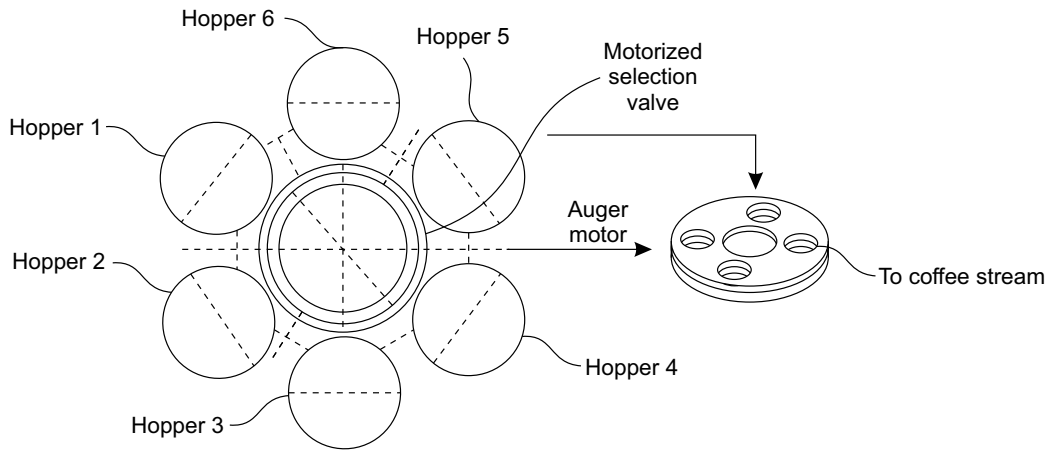
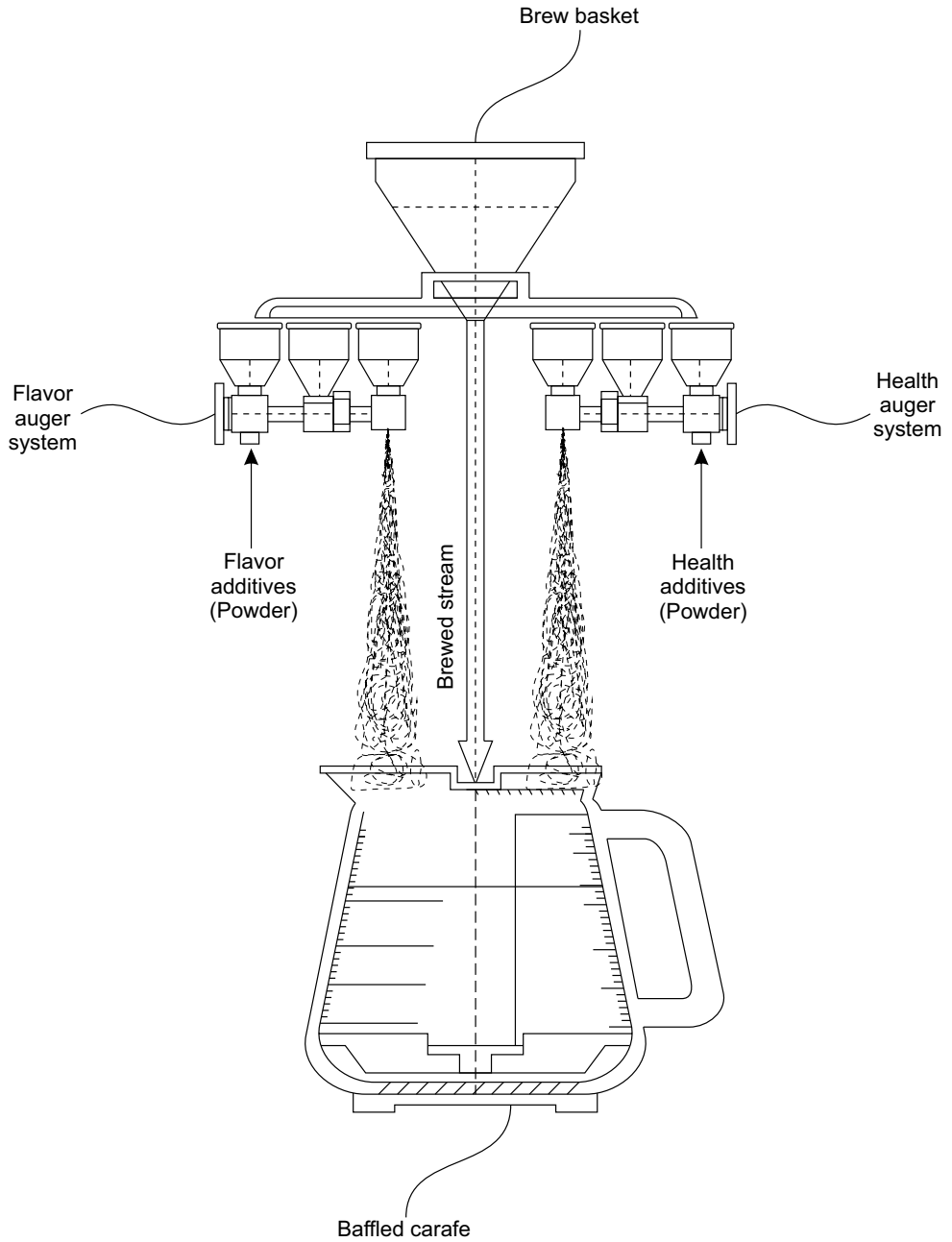


FIG. 10C



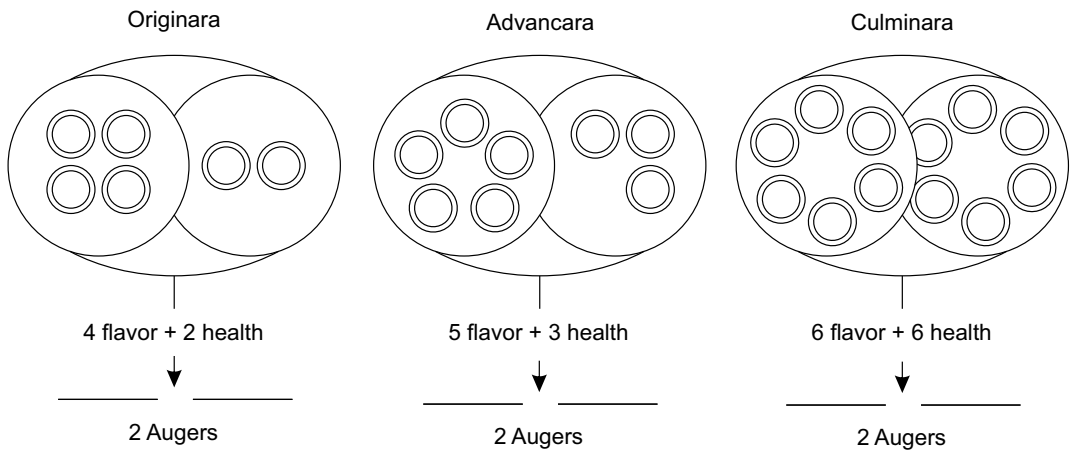
Internal automatic mechanism - Microcontroller

FIG. 11A



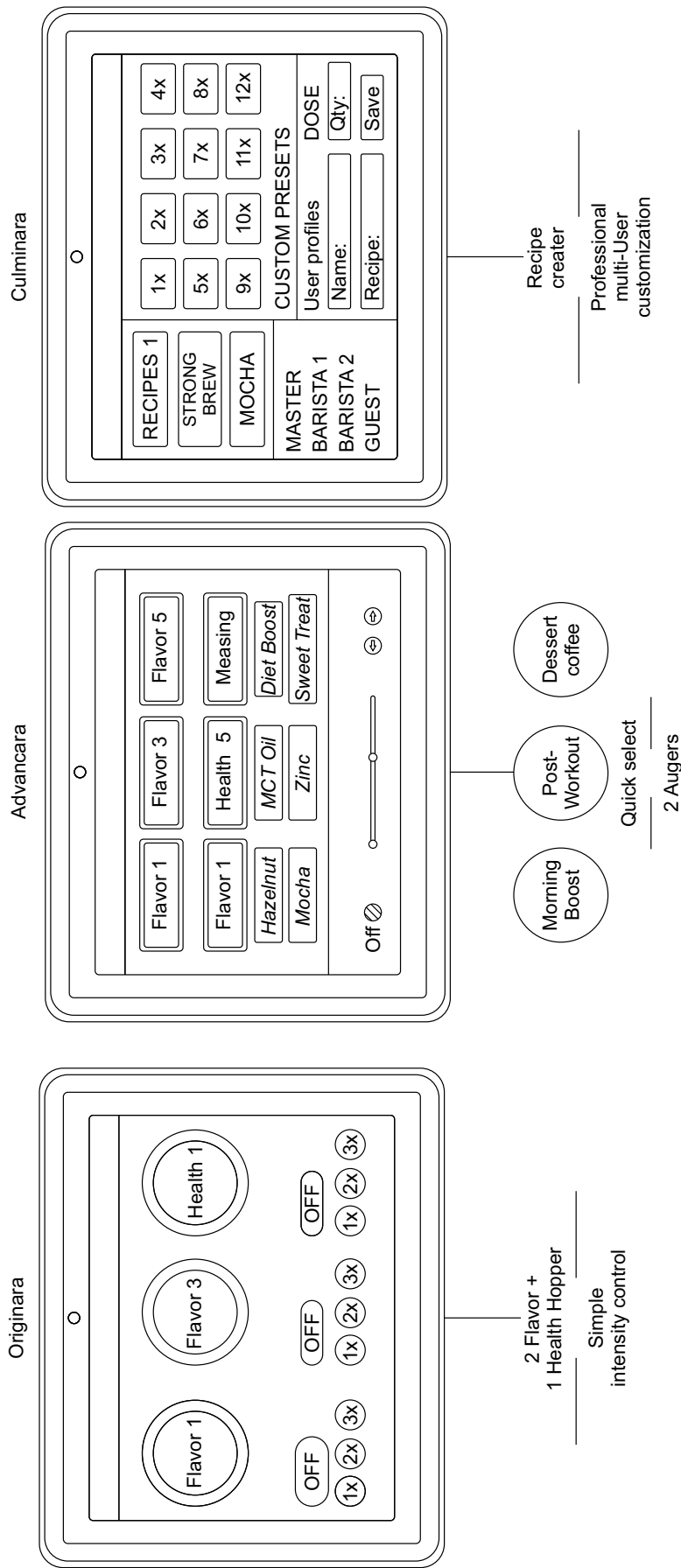
Complete in-stream additive dispensing system

FIG. 11B



Complete configuration by model

FIG. 11C



User interface

FIG. 11D